



[White]  
**PG-A10X/S**



[Silver]  
**PG-A10X-sL/PG-A10S-sL**

**Optional Accessories**

|   |   |  |
|---|---|--|
| <p><b>Remote Receiver</b></p> <p>AN-MR1EL</p> | <p><b>Cables</b></p> <p>AN-C3CP<br/>3-RCA to 15-pin<br/>D-sub cable (3 m)</p> <p>AN-C3BN<br/>5-BNC to 15-pin<br/>D-sub cable (3 m)</p> <p>AN-C10BM<br/>Computer RGB cable<br/>15-pin mini D-sub<br/>male connector (10 m)</p> <p>AN-C10RS<br/>RS-232C serial<br/>control cable (10 m)</p> | <p><b>Ceiling Mounts</b></p> <p>AN-TK201<br/>For high ceiling<br/>installation</p> <p>AN-TK202<br/>For standard<br/>ceiling installation</p> <p>AN-A10T<br/>Installation adaptor</p> |
|---|---|--|

**Replacement Parts: Lamp unit** BQC-PGA10X//1

**Specifications**

| Model                       | PG-A10X/A10X-sL   | PG-A10S/A10S-sL  |
|-----------------------------|---|--|
| LCD panel                   | Poly Silicon 0.79" (2.0cm)  |  |
| Panel size                  | Active Matrix TFT   |  |
| Drive system                | No. of pixels   |  |
| No. of pixels               | 2,359,296 pixels (786,432 dots x 3)   | 1,440,000 pixels (480,000 dots x 3)  |
| Lens                        | 1:1.2 manual zoom and focus, F1.9-2.2, f=26-31mm  |  |
| Projection lamp             | 165W (SHP) lamp   |  |
| Luminance                   | 1,300 ANSI lumen (Standard mode)/1040 ANSI lumen (Eco mode)   | 1,500 ANSI lumen (Standard mode)/1200 ANSI lumen (Eco mode)  |
| Contrast ratio              | 450:1   | 400:1  |
| Luminance ratio             | 95%   |  |
| Lamp life                   | 4,500 hours (Eco mode)/3,000 hours (Standard mode)  |  |
| Fan noise                   | 31dB (Eco mode)/35dB (Standard mode)  |  |
| Audio output                | 1W (mono)   |  |
| Speakers                    | 2.8 cm (round) x 1  |  |
| Power source                | 100-240V AC, 50/60 Hz (multi-voltage)   |  |
| Power consumption           | 240W (Standard mode)/190W (Eco mode) with AC 100V; 226W (Standard mode)/182W (Eco mode) with AC 240V  |  |
| Power consumption (standby) | 5W (AC 100V) - 8W (AC 240V)   |  |
| Heat dissipation            | 900 BTU/hour (Standard mode)/710 BTU/hour (Eco mode) with AC 100V; 850 BTU/hour (Standard mode)/680 BTU/hour (Eco mode) with AC240V   |  |
| Operating temperature       | +5°C to +35°C   |  |
| Storage temperature         | -20°C to +60°C  |  |
| Video colour signals        | NTSC/NTSC 4.43/PAL/PAL(60Hz)/PAL-M/PAL-N/SECAM/DTV (480i/480P/540P/580i/580P/720P/1035i-50Hz/60Hz)  |  |
| RGB input signals           | SXGA+/SXGA/Mac 21" (in intelligent compression), XGA, SVGA, VGA, PC-98, VESA, Mac 19"/16"/13", 15-70 kHz (horizontal), 43-85 Hz (vertical), 12-108 MHz (pixel clock) (plug & play VESA, DDC 1/28)                     | SXGA+/SXGA/XGA/Mac 21"/19" (in intelligent compression), SVGA, VGA, PC-98, VESA, Mac 16"/13", 15-70 kHz (horizontal), 43-85 Hz (vertical), 12-108 MHz (pixel clock) (plug & play VESA, DDC 1/28) |
| Input terminals             | Computer input signals  |  |
| Computer input signals      | Computer RGB/component x 1(15-pin mini D-sub), audio L/R x 1 (3.5 mm mini jack)   |  |
| Video input signals         | Video x 1 (RCA), S-video x 1  |  |
| Other                       | RS-232C serial port x 1 (8-pin mini Din)  |  |
| Cabinet                     | Plastic   |  |
| Dimensions                  | 297 x 81 x 229 mm (main body only)<br>297 x 89 x 229 mm (including adjuster and projecting parts)   |  |
| Weight                      | 2.9 kg  |  |
| Supplied accessories        | Remote control, R-6 battery (x2), power cord, RGB cable, DIN-D-sub RS-232C adaptor, carrying case, lens cap, extra air filter, projector manual and technical reference CD-ROM, "QUICK GUIDE" label, operation manual |  |

Design and specifications are current as of March 2003, but are subject to change without prior notice.

**SHARP**

**PG-A10X** (White) / -sL (Silver)  
**PG-A10S** (White) / -sL (Silver)

TRUE XGA/SVGA MICRO PORTABLE LCD PROJECTOR



Compact and Lightweight Mobile Projector  
with High Luminance and Long Life  
Making Successful Business on the Move



PG-A10X (White)

**SHARP**  
SHARP CORPORATION OSAKA, JAPAN  
URL <http://www.sharp-world.com/>

Notevision

# A Projector So Compact and Lightweight For Anyone to Setup and Operate Successfully

The PG-A10X/S simplifies basic features for exact operation for anybody rather inexperienced with presentations. It provides speedy preparation, simple and smooth operation, a file-size compact and lightweight body, high-brightness, a long-life lamp and low noise design, creating a comfortable presentation environment and rendering successful business results. Now that anyone can give an impressive presentation with the PG-A10X/S, companies will surely wish to assign one to each division and department.

## Essential Elements of Mobile Presentation

### 4500-Hour Longer Lamp Life

Employing Low Power Shutdown (LPS) and a newly designed lamp with reduced impurity in materials and increased purity achieves a long lamp life of 4500 hours in Eco Mode (3000 hours in Standard Mode). The lamp can provide superior performance for as long as 4 years and 3 months when used 4 hours per day, 5 days a week.

**Long-Life Lamp:** Reduction in glass transparency caused by impurity in lamp materials combined with inferiority of electrodes together decrease lamp brightness. This is the main reason lamp life is restricted. In the PG-A10X/S, impurity of lamp materials is reduced, increasing lamp life.

**LPS (Low Power Shutdown):** This technology reduces damage to the lamp electrodes by maintaining low power mode when the lamp is turned off. When switching into the low power mode, the glass cools more quickly than the electrodes and prevents excess enclosure material from adhering to the electrodes, which causes resistance when turning the lamp on. The result is improved lighting the next time the lamp is turned on and preventing high-voltage being applied to the electrodes when the lamp is off.

Lamp Life: This is the average time for the lamp's luminance to decrease to half and is not a guarantee of time.

### 1500/1200 ANSI Lumen Brightness 1300/1040 ANSI Lumen Brightness

Incorporating Sharp optoelectronics technology, the PG-A10S provides 1500ANSI lumen brightness and the PG-A10X provides 1300 ANSI Lumen brightness in spite of its compact body. Plus, 1200 ANSI Lumen for the PG-A10S and 1040 for the PG-A10X can be set in the Eco Mode.

### Compact-to-Carry File-Size Body

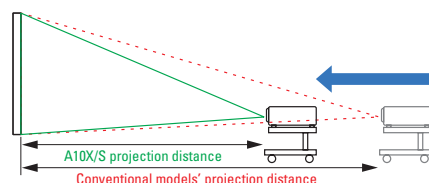
PG-A10X/S boasts a compact, file-size design (29.7 x 22.9 x 8.1 cm) with a lightweight body (2.9 kg), accompanying you with your PC to provide presentations anywhere.



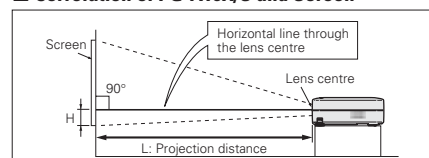
## Presentation Support from Setup Flexibility and Convenient Operation

### Short Throw Lens

The Short Throw Lens makes large-screen presentation possible even in a small meeting room.



### Correlation of PG-A10X/S and Screen



### 4:3 Zoom Mode (Standard mode with computer input)

| Picture size | L: Projection distance |           |            | H: Distance between bottom of the picture and the lens centre |        |
|--------------|------------------------|-----------|------------|---|--------|
|              | Diagonal (inches)      | Width (m) | Height (m) |   |        |
| 300          | 6.1                    | 4.6       | 9.8m       | 11.8m   | 46.2cm |
| 200          | 4.1                    | 3.0       | 6.5m       | 7.9m  | 30.8cm |
| 150          | 3.0                    | 2.3       | 4.9m       | 5.9m  | 23.1cm |
| 100          | 2.0                    | 1.5       | 3.2m       | 3.9m  | 15.4cm |
| 80           | 1.6                    | 1.2       | 2.6m       | 3.1m  | 12.3cm |
| 70           | 1.4                    | 1.1       | 2.3m       | 2.7m  | 10.8cm |
| 60           | 1.2                    | 0.9       | 1.9m       | 2.3m  | 9.2cm  |
| 40           | 0.8                    | 0.6       | 1.3m       | 1.5m  | 6.2cm  |

### 16:9 Squeeze Mode

| Picture size | L: Projection distance |           |            | H: Distance between bottom of the picture and the lens centre |         |
|--------------|------------------------|-----------|------------|---|---------|
|              | Diagonal (inches)      | Width (m) | Height (m) |   |         |
| 300          | 6.6                    | 3.7       | 8.9m       | 12.9m   | -11.5cm |
| 200          | 4.4                    | 2.5       | 7.1m       | 8.6m  | -9.2cm  |
| 150          | 3.3                    | 1.9       | 5.3m       | 6.4m  | -6.9cm  |
| 120          | 2.7                    | 1.5       | 4.3m       | 5.1m  | -5.5cm  |
| 100          | 2.2                    | 1.2       | 3.5m       | 4.3m  | -4.6cm  |
| 80           | 1.8                    | 1.0       | 2.8m       | 3.4m  | -3.7cm  |
| 70           | 1.6                    | 0.9       | 2.5m       | 3.0m  | -3.2cm  |
| 60           | 1.3                    | 0.7       | 2.1m       | 2.5m  | -2.8cm  |
| 40           | 0.9                    | 0.5       | 1.4m       | 1.7m  | -1.8cm  |

\* Negative figures mean the lens centre position is under the bottom of the picture.

### 31 dB Low Fan Noise (in Eco Mode) and Front Ventilation

The projector employs an Eco Mode and a newly developed separate cooling system for reducing fan noise. Plus, Front Ventilation produces a comfortable presentation environment without the disturbance of air being blow back toward the presenter.



### Wide Angle Adjustment

The angle of the front adjuster is a full 12° (5° for conventional models) and a 3° rear adjuster is added. This enables wide, free, and flexible angle adjustment for projection placement. The projector can also be mounted on ceilings with projection flipped left/right or up/down.



### Active Digital Keystone Correction

The Active Digital Keystone Correction compensates for trapezoid-shaped picture distortion when images are projected at an angle.

### Simple Key Lock and Anti-Theft Function

The key lock and cancel are easily controlled with a key button on the projector body. These functions are useful for example to prevent children from meddling, or any other time to avoid tampering.

### Sharp Original Pull-Down Menu GUI (Graphical User Interface)

The easy-to-use icon-based GUI shows how to adjust the picture, language or other settings on the screen, and single adjustment items can be displayed without disturbing the screen with menu bars.

## Excellent PC Compatibility

### Excellent Compatibility with a Wide Range of Computer Input Signals

The PG-A10X is truly compatible with XGA (1,024 x 768) and the PG-A10S is truly compatible with SVGA. In addition, SXGA+ (1,400 x 1,050) and SXGA (1,280 x 1024) are also compatible in intelligent compression\*1 for natural, smooth and clear PC display projection.

- Horizontal Frequency: 15-70 kHz
- Vertical Frequency: 43-85 Hz
- Pixel Clock: 12-108 MHz

### sRGB Compatibility

sRGB Compatibility, the international standard for colour reproductivity, faithfully reproduces on PC displays the colour tones, phases, and gradations of the original pictures.

### Auto Response Adjust (ARA)

One touch automatically synchronises subtly different projection signals from connected PCs.

## Superior Video Image Quality

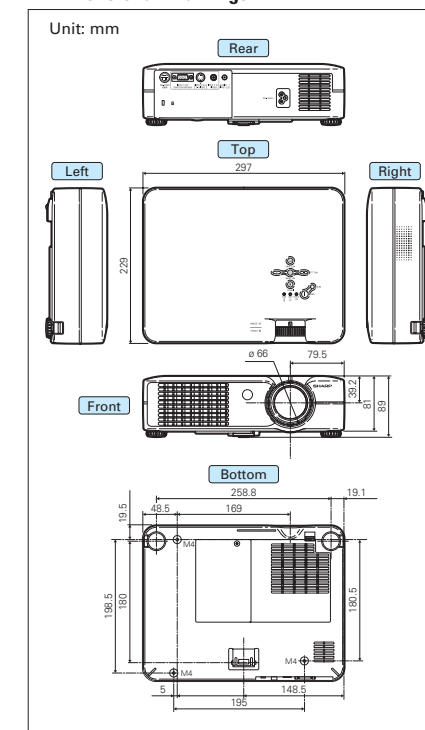
### Big-Screen Projection of DVD\*2 Software

With the merging of advanced technology from theatre projectors and high-grade television, the PG-A10X/S provides high-quality pictures for DVDs, Hi-vision broadcasts and education videos in large-screen projection. The projector is also compatible with worldwide broadcast signals such as NTSC, PAL and SECAM.

## Other Outstanding Features

- Built-In 1 W Speaker
- Enlarge & Freeze
- Picture Setting Memory

### Dimensional Drawings

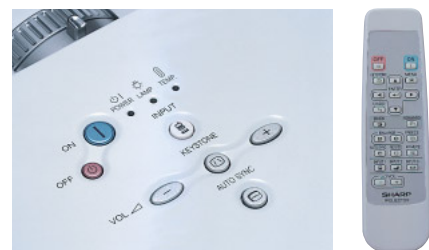


\*1 True SXGA, SXGA+ and UXGA pictures cannot be displayed.  
\*2 A separate DVD player is needed for viewing DVDs.

## Smooth Presentations Even for Beginners

### Intuitive Layout of Buttons and Terminal Layout

For intuitive button layout, essential and frequently used buttons for basic operations, setup and image adjustment are located close together. This layout allows simple setup and operation for anybody. And, a wide variety of AV/PC terminals are effectively placed with colour guidance.



Rear Terminal

### Page Up/Down Buttons on Remote Control

With the optional remote receiver AN-MR1EL, screens displaying presentation software such as PowerPoint® can be easily moved forward and back by remote control.

### Quick Guide

Any person first using the PG-A10X/S can quickly set up and use it with just a quick glance at the reference sticker enclosed. Sticking it close to operation buttons simplifies basic operation by eliminating the need to check operation manuals.

